

# POWERFLEX®

PART NUMBER

## PFF5-6101

DESCRIPTION

### FRONT RADIUS ARM TO CHASSIS BUSH

#### INSTALLATION GUIDE

#### Contents (parts per pack):

- 2 x Polyurethane Bushes
- 2 x Stainless Steel Sleeves
- 4 x Zinc Plated Mild Steel Washers
- 1 x PTFE/Silicone Grease

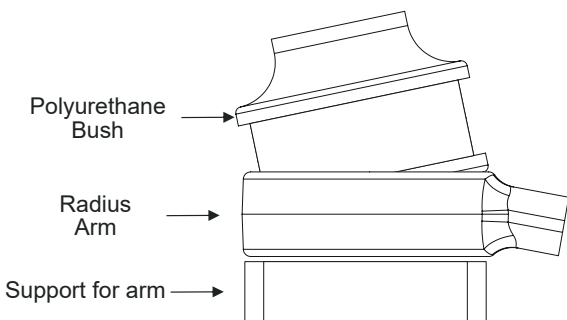
Please read the complete fitting instructions and check package components before fitment. These fitting instructions are to be used as a guide and in conjunction with workshop manual.

It is recommended that:

- all work to be carried out by a licensed technician;
- all safety precautions adhered to;
- wheel alignment to be checked and adjusted as required after any suspension work.
- All fasteners must be tensioned to manufacturer's torque settings.

#### Fitting Instructions:

1. Remove original bush, including the outer shell, from the OEM arm.
2. Clean any dirt and corrosion from bore in arm, removing any sharp edges around bore using a file.
3. Use a press to push the bush into the arm. To ease this, apply some washing up liquid to the lip of the bush.
4. Apply supplied grease in and around bore of Powerflex bushes.
5. Insert stainless steel sleeve into bush as shown in Figure 1.
6. Add a small amount of Powerflex grease to the flat ends of the bush. Place each zinc plated mild steel washer on either side of the bush.
7. Refit arm to the car. Tension all hardware to manufacturers recommended torque settings.



NB:  
Ensure arm has support beneath it to ensure bushing can be fully inserted. This support should allow for the other side of the bushing to extrude from the arm without obstruction.

